

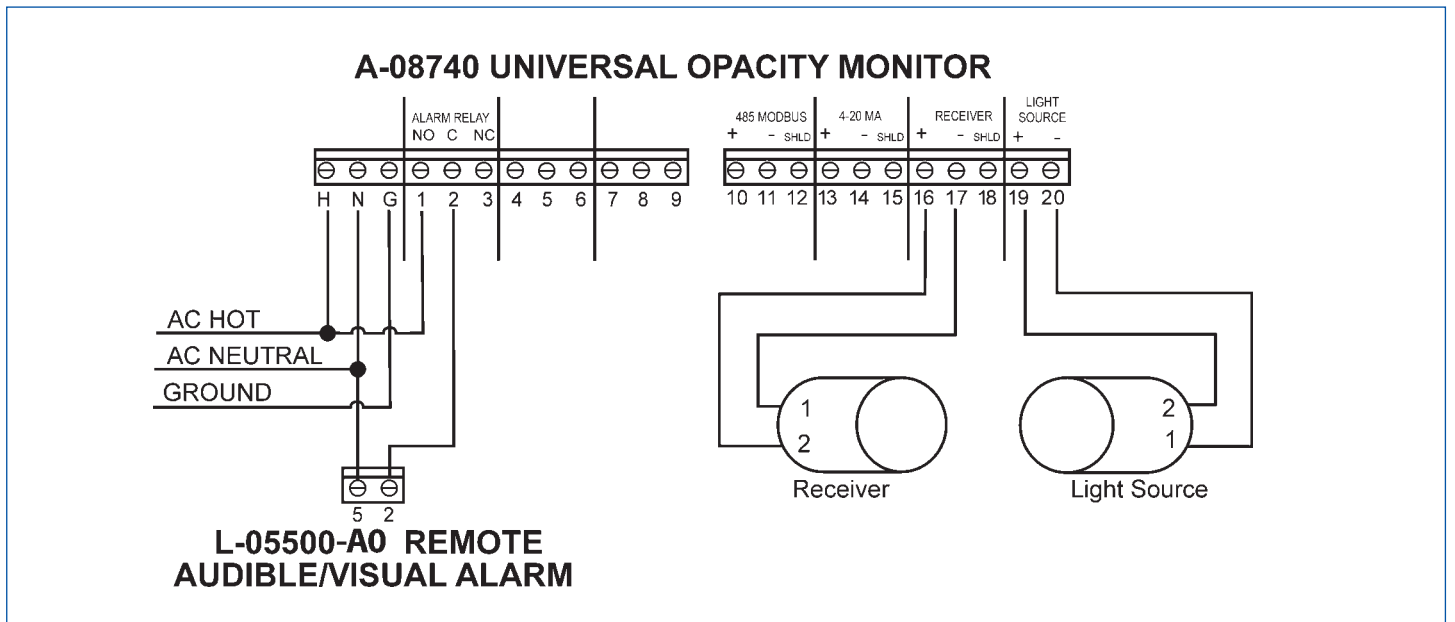
SPECIFICATIONS

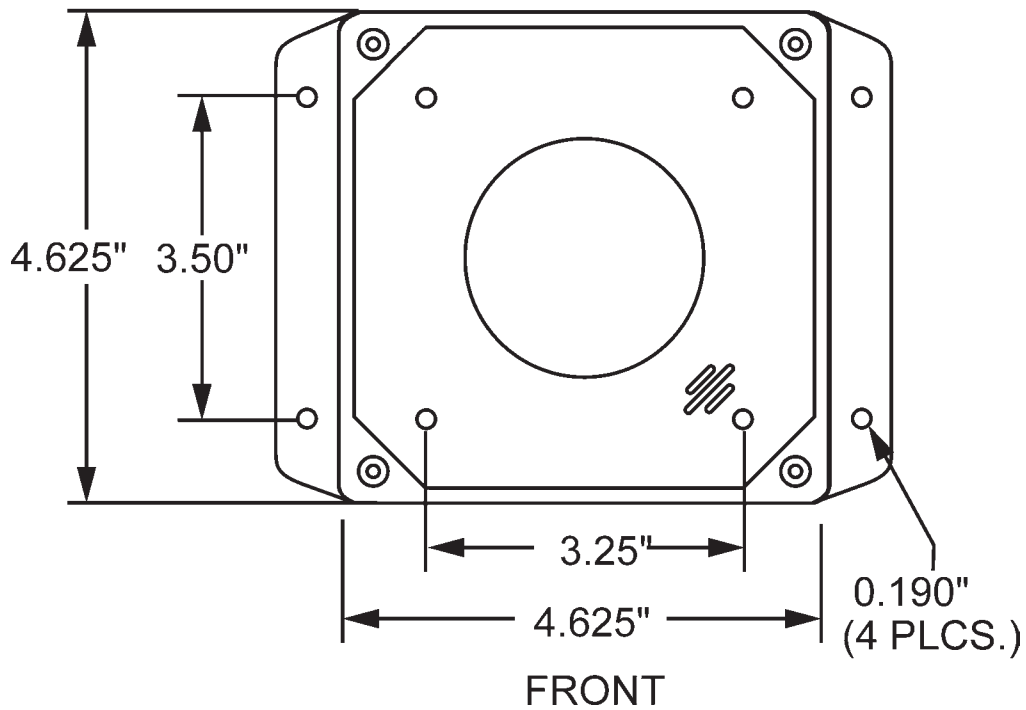
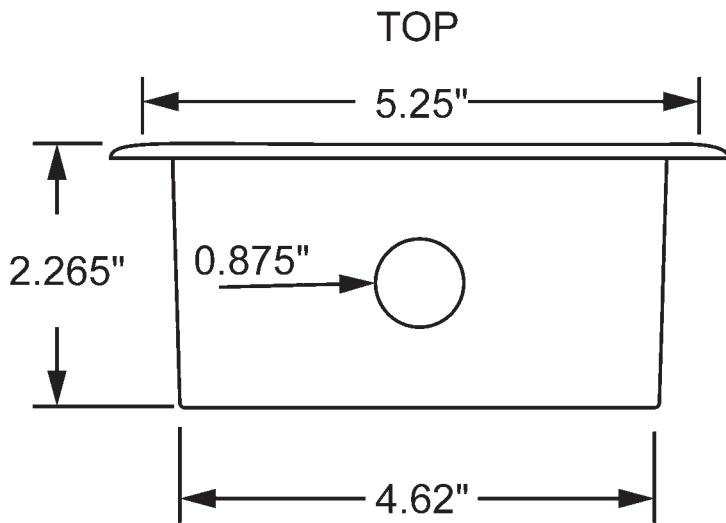
L-05500-A0 Remote Audible/Visible Alarm	
Power Requirements	120 v, 60 Hz.
Indication Light	Flashing (Violation)
Lens	Large Red Beehive
Audible Alarm	Buzzer (Violation)
Electrical Connections	Two-Pole Terminal Block
Material	Polylac PA-765 (flame retardant ABS plastic)
Finish	Black Textured

The L-05500 is a combination audible and visual alarm for remote mounting from a control panel. It features a flashing red light and a buzzer that, while not ear-piercing, nonetheless attracts attention. L-05500-A0 alarms are often connected through 120 VAC alarm contacts to a smoke or opacity monitor, typically in a workroom or office.



EXTERNAL WIRING





Are
you reading
a FAX or a COPY
of this bulletin?
DOWNLOAD the
full-color PDF version
of this and other
literature at our
website!

www.hayscleveland.com

Hays Cleveland Div. of UniControl Inc.
1903 South Congress Avenue
Boynton Beach FL 33426
Telephone: 561.734.9400
Fax: 561.734.8060
e-mail: salescombustion@unicontrolinc.com

Hays Cleveland Div. of UniControl Inc.
1111 Brookpark Road
Cleveland OH 44109
Telephone: 216.398.4414
Fax: 216.398.8558
e-mail: salescombustion@unicontrolinc.com