

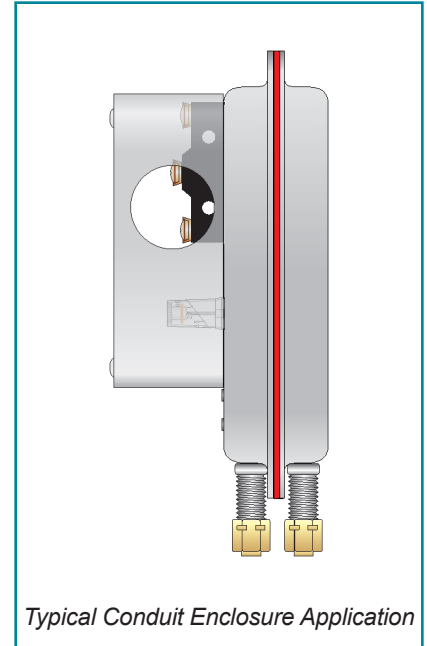
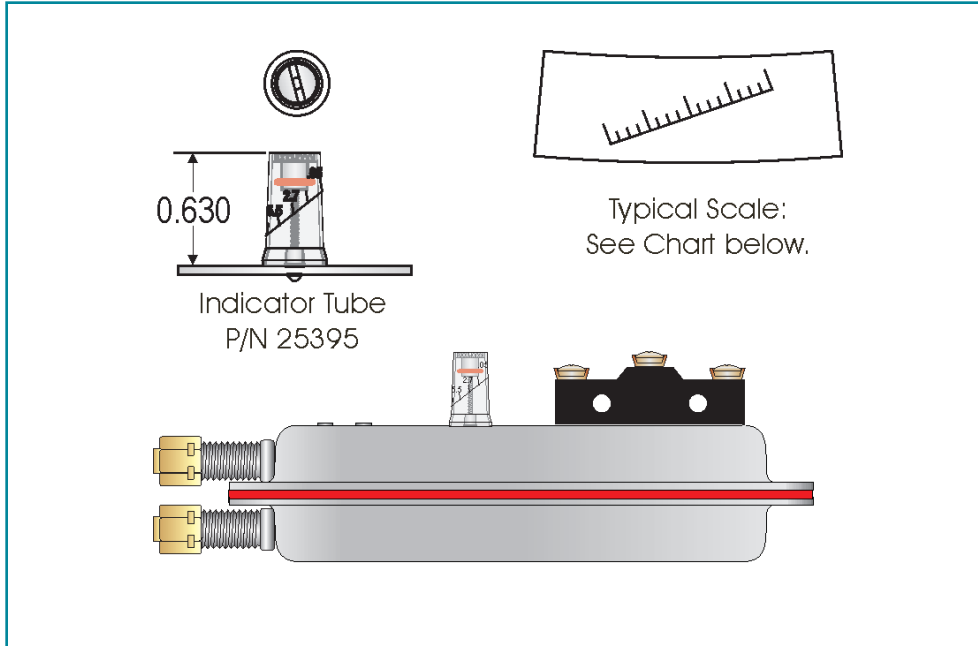


Cleveland Controls

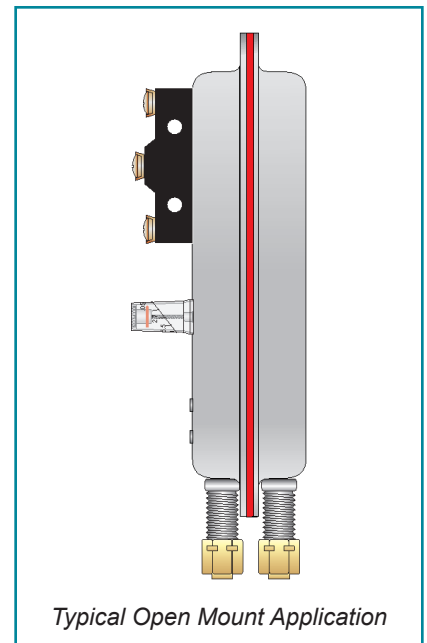
Division of UniControl Inc.

Set Point Indicator

AIRSWITCH MODEL SUFFIX "-7(X)"



SET POINT RANGE SCALES			
Specification Number	Range Suffix (x)	Range	Units
25525	A	20 - 500	PA
25911	B	.25 - 3	kPA
28411	C	.05 - 2	inches w.c.
28412	D	.05 - 12	inches w.c.
25909	E	0 - 300	mm w.c.
25911	F	0 - 50	mm w.c.
28578	G	.40 - 12	inches w.c.
28579	H	1.25 - 12	inches w.c.



Cleveland Controls
DIVISION OF UNICONTROL INC.
1111 Brookpark Rd
Cleveland OH 44109

Tel: 216-398-0330
Fax: 216-398-8558
Email: salesvac@unicontrolinc.com
Web page: <http://www.clevelandcontrols.com>

Are you reading a FAX or a COPY of this bulletin? **DOWNLOAD** the full-color PDF version of this and other literature at our website!