

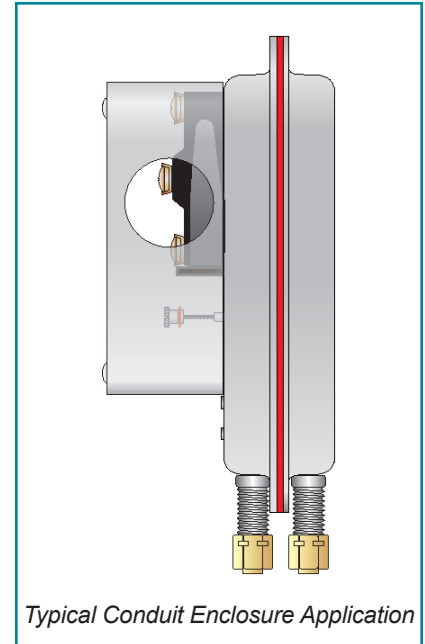
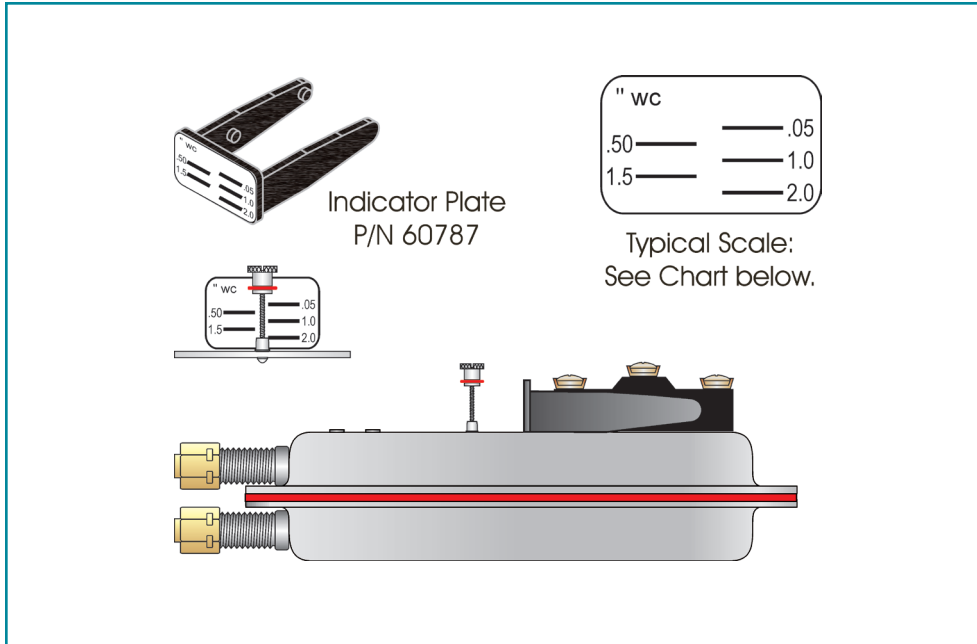


Cleveland Controls

Division of UniControl Inc.

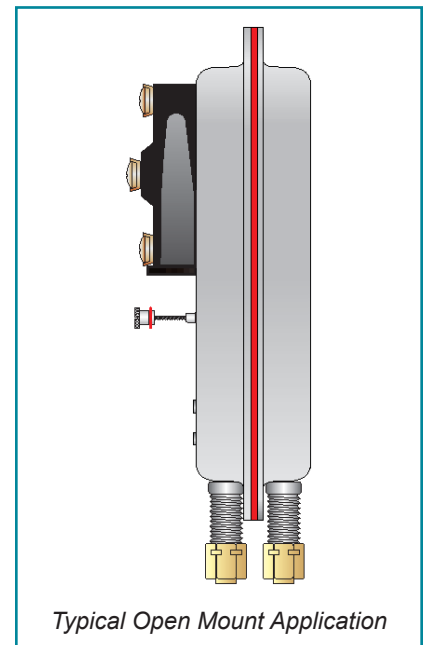
Set Point Indicator

AIRSWITCH MODEL SUFFIX "-379(X)"



SET POINT RANGE SCALES

Specification Number	Range Suffix (x)	Range	Units
60802-000	A	.05 - 1.0	inches w.c.
60802-001	B	.05 - 2.0	inches w.c.
60802-002	C	.05 - 12.0	inches w.c.
60802-003	D	.40-12.0	inches w.c.
60802-004	E	.15 - 2.0	inches w.c.
60802-005	F	.15 - 5.0	inches w.c.
60802-006	G	12 - 500	Pa
60802-007	H	37 - 500	Pa
60802-008	J	37 - 1245	Pa



Cleveland Controls
DIVISION OF UNICONTROL INC.
1111 Brookpark Rd
Cleveland OH 44109

Tel: 216-398-0330

Fax: 216-398-8558

Email: salesvac@unicontrolinc.com

Web page: <http://www.clevelandcontrols.com>

Are you reading a FAX or a COPY of this bulletin? DOWNLOAD the full-color PDF version of this and other literature at our website!